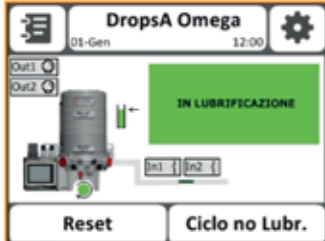
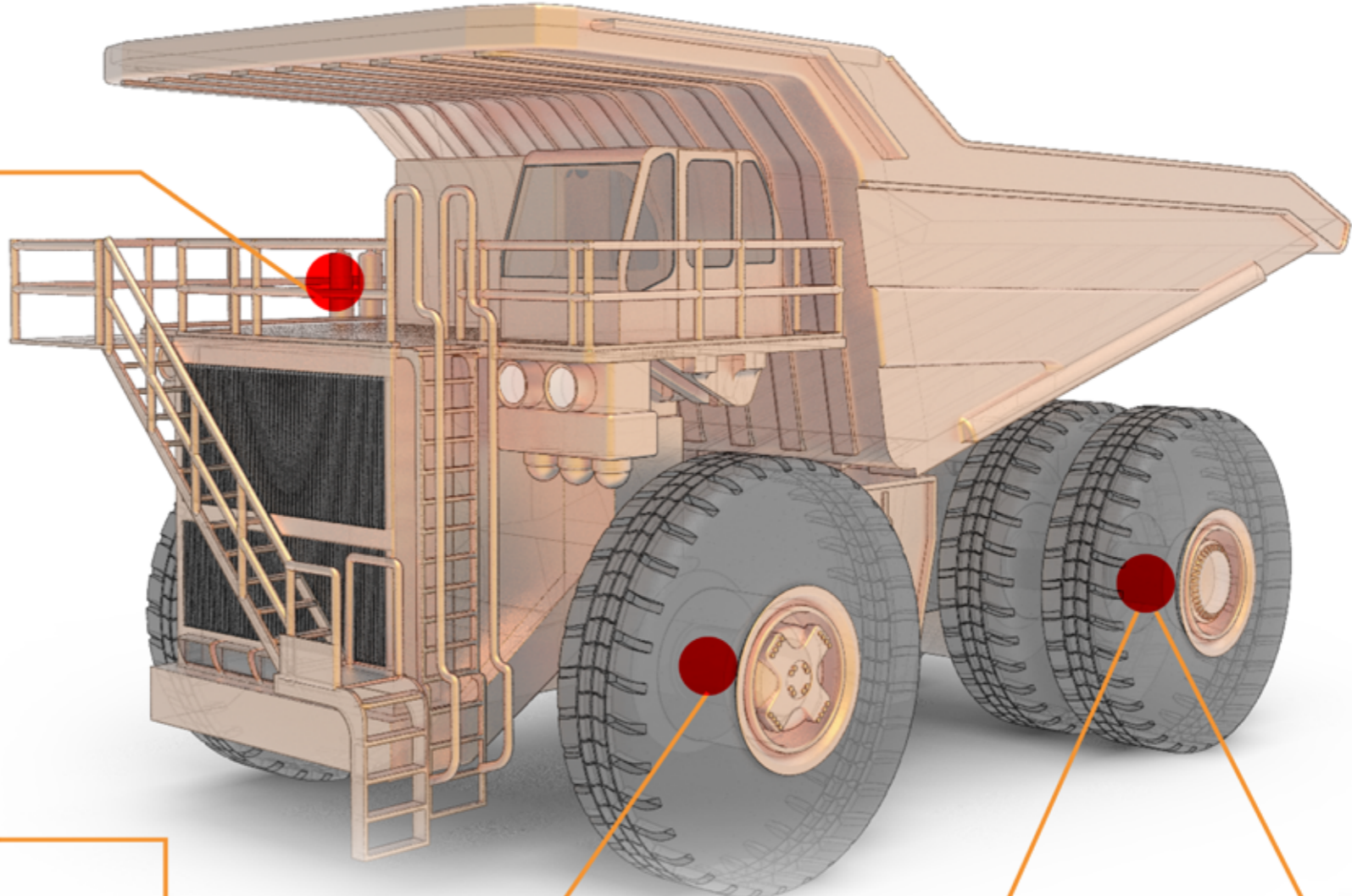


DropsA

Lubrication systems specialists

MINING AND CONSTRUCTION





AUTOMATIC OMEGA PUMP

This represents a versatile solution for medium small systems that can be used to feed systems with different lubrication systems: with divider (pair of pumping elements), direct to the point (8 mini pumping elements) or with the release valve kit for injection systems.



NP DIVIDER

DropsA's nano-Progressive (nP) dividers, thanks to their compact and solid design are the ideal solution for oil and grease lubrication applications that require a minimum but precise dose of lubricant in reduced spaces. Through the progressive movement of paired pistons with micrometric play inside the sliding hole, they are able to distribute the incoming flow rate in very precise quantities on the various available outlets. Thanks to a new press-fit mechanism between the elements, RigidLock, nano-Progressive (nP) has the rigidity of a single-block divider but the flexibility of a modular single unit.

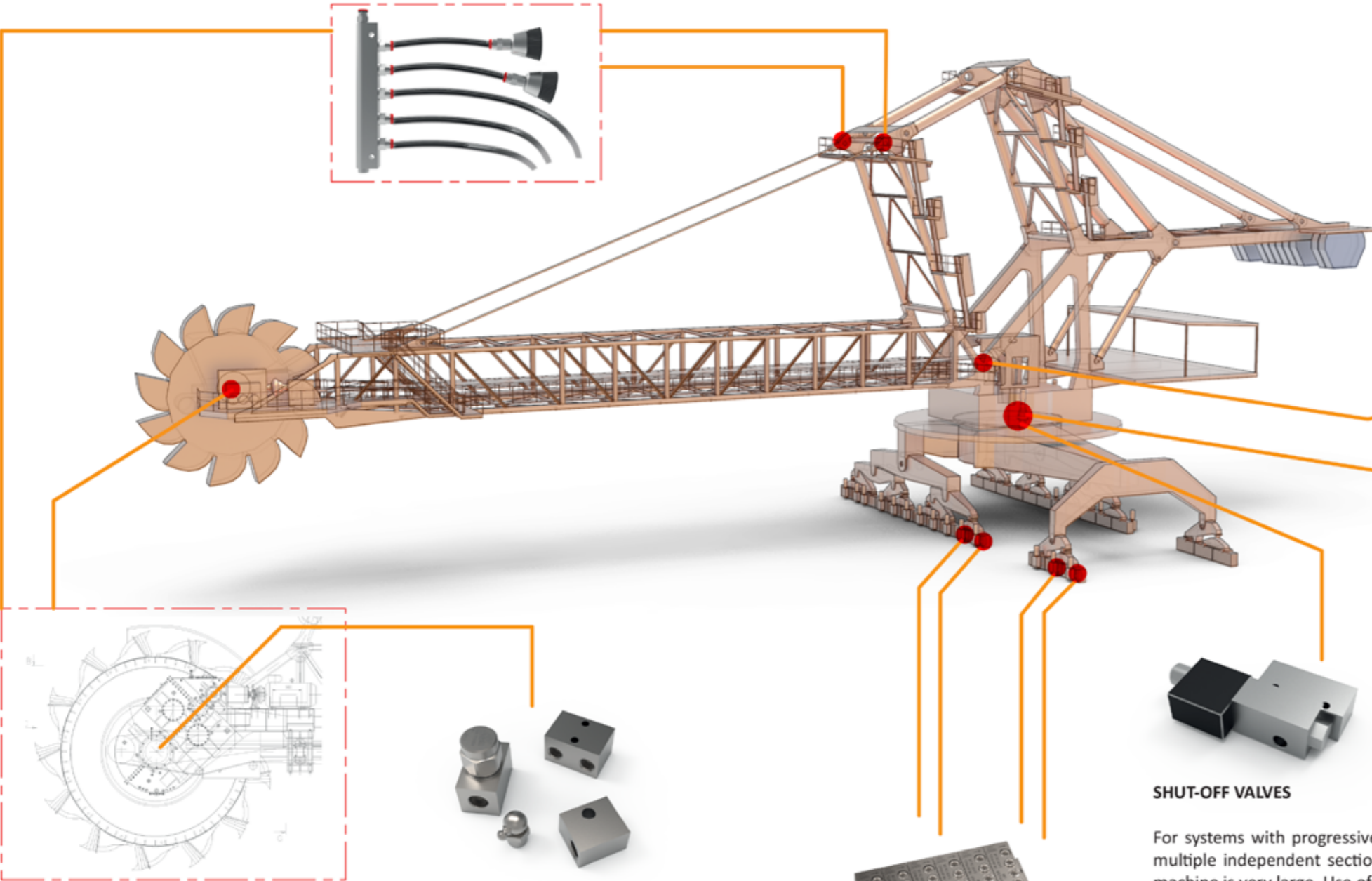


DL-1 INJECTORS

DL-1 injectors have been designed to provide lubrication on the friction points through supply line pressure, allowing in-line assembly even in small spaces. The flow rate is externally adjustable and the injectors come with a built-in visual indicator to check operation. They are versatile and flexible and can be installed on distributors.



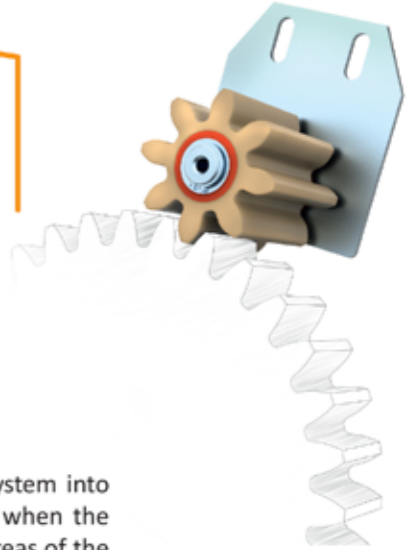
Stackers and reclaimers are large machinery used in the mining industry to handle, store and recover materials such as limestone, coal, minerals (they are also used in cereal harvesting). These machines run along rails, moving in at least two directions: horizontally along the rail and vertically rotating the arm, which can also be raised and lowered. Wheels, an orientation fifth wheel, bucket-wheels, ropes, bearings and conveyor belts are all components that need to be lubricated. DropsA offers customised and automated specific solutions.



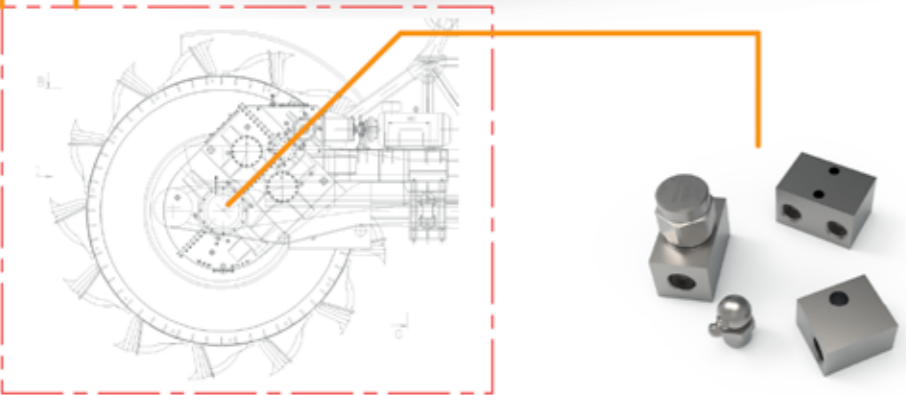
ELECTRIC or MANUAL PUMPS

Different types of pumps are proposed based on the distances and the quantity of points to be lubricated. The following are normally installed:

- MINISUMO
- SUMO II
- 989
- 34150 and 34160 series manual pump
- 340 series electric pump



LUBRICATION PINION



ADDITIONAL ACCESSORIES AND COMPONENTS

Brushes for the lubrication of chains, filters, junction blocks, grease nipples, special fittings and piping are all components that DropsA offers to complete their systems and provide a complete solution. Some parts of machines are lubricated at less frequent intervals than others. Centralising these points, including a manual pump or a grease nipple with a safety filter, guarantees reduced greasing times and maintenance by operators who previously lubricated point to point.

SHUT-OFF VALVES

For systems with progressive dividers, "shut-off" valves are used to divide the system into multiple independent sections and to reduce load losses on the line, especially when the machine is very large. Use of these valves, which make lubrication of the various areas of the machine programmable, also allows for faster fault detection, reducing the amount of points.

PROGRESSIVE OR DUAL LINE DIVIDERS

Progressive or dual line type metering elements are usually used to lubricate machine areas such as wheels, fifth wheels and chains. Progressive nano-progressive (nP), SMX, SMO dividers are the ideal solution for oil and grease lubrication applications thanks to their compact, solid design. Dual line type dividers are similarly used for larger, multi-point machine sections. DM or modular type dividers offer advantages in terms of flexibility, efficiency, reduced maintenance costs and interchangeability.

Automatic lubrication: optimisation of costs and work times



The use of lubrication systems is essential for correct machine operation, even more so when they work in heavy duty environmental conditions such as the mining and construction sectors. The installation of an automatic lubrication system allows for reduced machine downtime, control of lubricant consumption and an increased life of bearings, chains and gears.

Thanks to its many years of experience and its widespread network of offices and dealers worldwide, DropsA provides specific solutions for all needs and follows the customer from the definition of the project to installation to after-sales support. The solutions proposed for the mining and construction sectors are applicable on all the various machine types:

- MINING TRUCKS
- EXCAVATOR
- WHEEL LOADERS
- STACKERS
- SHIPLOADER
- CRANES

Sistems Solutions

- TOTAL LOSS LUBRICATION
- GREASE LUBRICATION
- AIR/OIL LUBRICATION
- OIL RECIRCULATION LUBRICATION
- MQL NEAR DRY MACHINING LUBRICATION

DropsA

Since 1946, DropsA has been producing systems and components for centralised lubrication, continuously developing new products and patents that have contributed to making the lubrication sector all over the world more innovative and competitive.

DropsA offers a vast range of products capable of maximising the profitability and productivity of your machinery, providing the latest technologies in terms of systems, functionality and components. Thanks to the branches and the specialised distribution channels, DropsA provides prompt responses, support and assistance to customers on a local or global level, guaranteeing the same high quality standards all over the world.



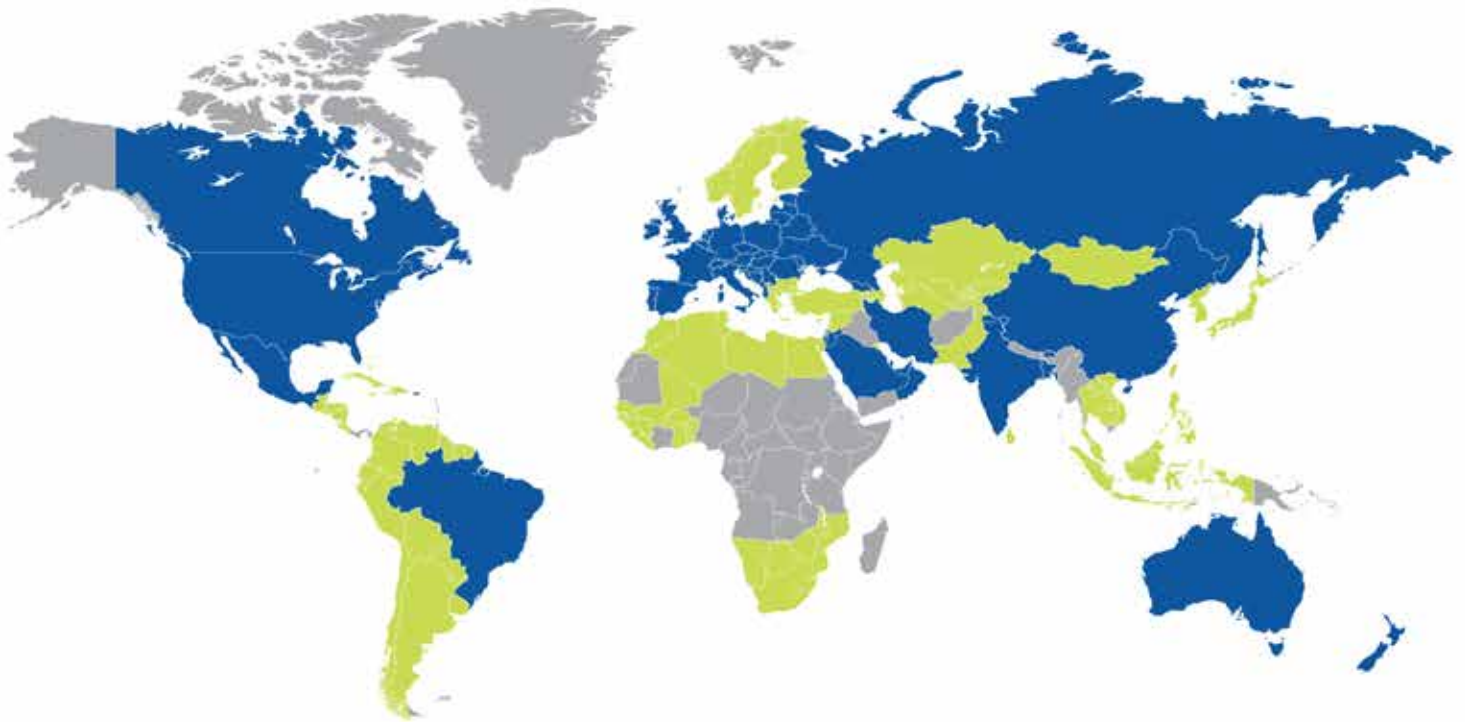
DropsA Production

The production, processing and automated assembly systems that are in the central plant near Milan are equipped with an advanced quality monitoring and product traceability system in order to guarantee both highly efficient processing and product assembly that accurately reflects the technical specifications. Continuous investments in all of the areas of design, engineering and production of the products ensure a constant increase in the reliability of the products themselves.



DropsA

Lubrication systems specialists



[@DropsA](#) [#LubricationSystems](#) [#Solutions](#) [#Innovation](#) [#Technology](#)