

www.scanfly.it

scanfly

EVO

Unveiling the **Scanfly EVO**, the 3DT's entry-level LiDAR mobile mapping solution. Building on a legacy that began in 2016, the EVO stands as the definitive **multi-platform** tool. Whether walking, driving, or flying, enjoy a seamless, tool-less, and **cable-free** experience. Ensure unparalleled value with every survey. **Experience the EVolution - Map effortlessly with Scanfly EVO!**

REV 1.0 - 09.2025



Lidar: Hesai PandarXT-32



INS: Applanix APX-15L



Multi-platform
Tool-less mounting accessories
Cable free design



Carry case



Multi-sensor interface
24 MP Sony camera
60.5 MP 360° panoramic camera



SmartProcessing Lidar software
SLAM enabled
GCP and Strip Alignment tool
Image blurring tool



CE Marking
Ingress Protection IP55



On board



Backpack



Flying



OVERVIEW

Weight: **1.6 kg**
 Dimensions: **181 x 133 x 142 mm**
 Scan Rate: **up to 1 280 000 points/s**
 Maximum range: **130 m**
 Recommended AGL: **up to 85 m**
 Precision: **3 cm** ①③
 Accuracy: **3 cm** ①③
 Certification: **IP55 / CE** ④
 Control methods:
Capacitive touch button
Scanfly WebApp
SmartSurvey (for Windows OS) ②
 Post-processing:
SmartProcessing Lidar ②

LIDAR

LASER CLASS	Class 1 eye safe (wavelength 905 nm)
CHANNELS	32
ROTATION RATE	5-20 Hz
NUMBER OF RETURNS	2
RANGE ACCURACY	10 mm / 5 mm

INS

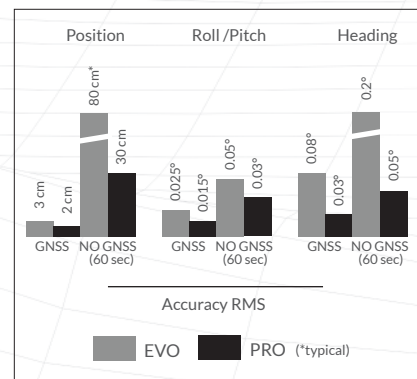
GNSS	
CHANNELS	336
CONSTELLATIONS	GPS/GLONASS/BeiDou/Galileo/QZSS/SBAS
OPERATION MODE	PPK

IMU	
DATA RATE	200 Hz (1 kHz internal rate)
ACCURACY	Roll/Pitch 0.025° / Heading 0.08° ①

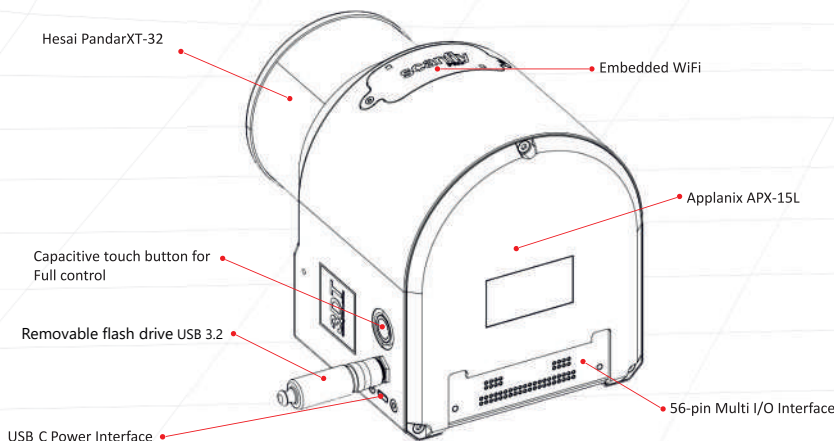
GENERAL

INTEGRATION INTERFACE I/O	56 - pin receptacle Ethernet, USB, Sensor power, Camera trigger/strobe, GNSS
Wi-Fi	Embedded
STORAGE	External USB 3.2 Flash Drive (256 GB)
BUTTON	Capacitive touch button
MOUNTING KITS ②	3DT-SF-v3-SKY - DJI Skyport adapter 3DT-SF-v3-LMK - Land vehicles and backpack mount
RGB CAMERAS SUPPORTED ②	24 MP Sony camera 60.5 MP NCTech iStar Pulsar + panoramic camera
OPERATING TEMPERATURE	- 10° + 40° C
POWER SUPPLY	12-24 V max 30 W (typical)

COMPARISON



- ① PPK performance in open-sky GNSS environment.
- ② Not included, available separately.
- ③ RMS 1 σ , measured at 50 m distance.
- ④ When installed in a 3DT mounting kit.



All features, functionality and other product specifications are subject to change without notice or obligation.



scanfly



On board



Backpack



Flying